



An ISO 9001 Company



IS : 13095



CM/L:9440477

Controlling Fluids
is our **Expertise...**

www.kartarvalves.com

Since
1972

Butterfly Valves
Check Valves

Butterfly Valves



K Line

K701 & K 702

K Line New

K701N & K 702N

K Line Replacable Liner

K703 & K 704

K Line (CS Body)

K713

Special Features

- | | | | |
|--|---|--|---|
| <ul style="list-style-type: none"> • Wafer Type • Integral Liner | <ul style="list-style-type: none"> • Wafer Type • Integral Liner | <ul style="list-style-type: none"> • Wafer Type • Replaceable Liner | <ul style="list-style-type: none"> • Wafer Type • Integral Liner |
| <ul style="list-style-type: none"> • Directly Actuator Mountable • Have 4 lugs to assist proper installation | <ul style="list-style-type: none"> • Directly Actuator Mountable • Have 2 lugs to save overhead weights | <ul style="list-style-type: none"> • Directly Actuator Mountable • Have 2 lugs to save overhead weights • Special drilling also available | <ul style="list-style-type: none"> • Directly Actuator Mountable • Have 2 lugs to save overhead weights • Available in PN 16, PN 20 & CL-150 |

Component

Material

Body

Cast Iron (IS : 210 Gr FG 200) / Ductile Iron

Cast Steel

Disc

Stainless Steel (IS 3444:GR:7) / AISI 304/316

Liner

Nitrile / EPDM / Neoprene / Silicon

Upper & Lower Stem

Stainless Steel (IS 6603) / AISI 410

Bushing

Teflon / Nylon

O Rings


Nitrile, Silicon, Viton

Pressure Rating

1.0 / 1.6

1.6 / 2.0 / CL-150

Certification

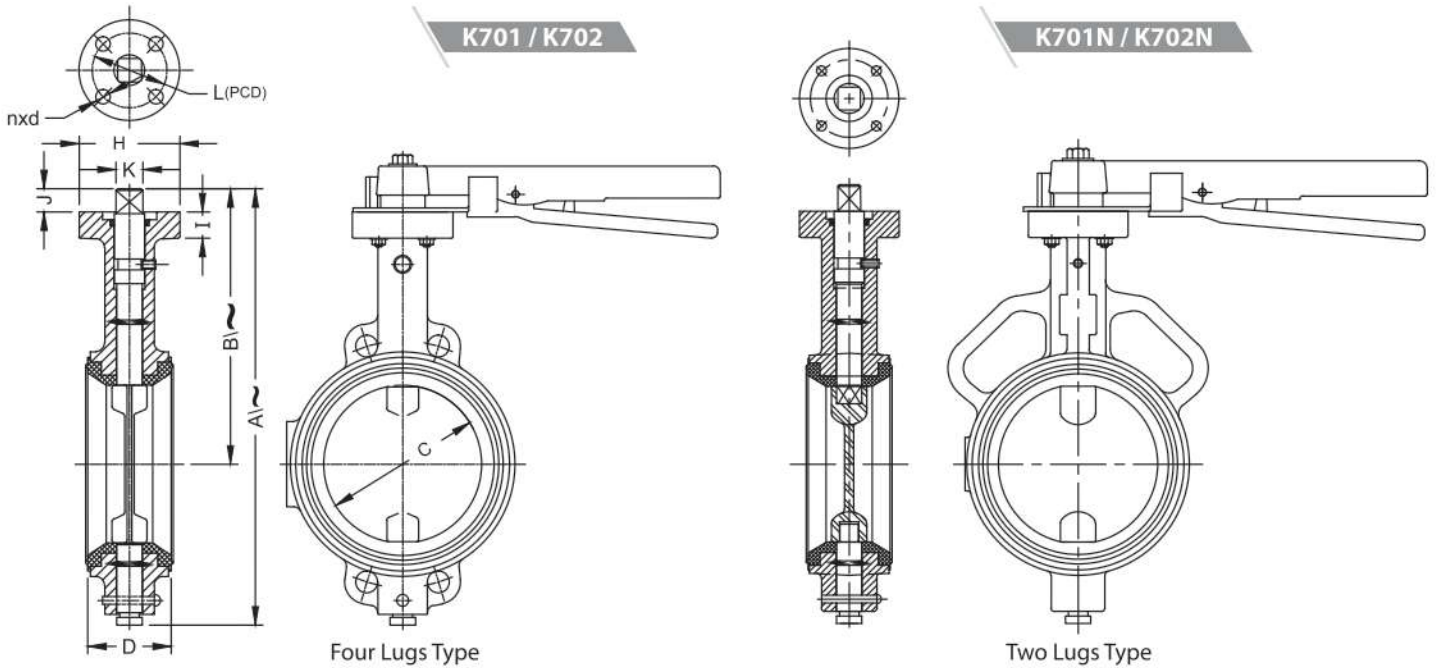
 (IS : 13095)

N.A.

Test Pressure

PN (bar)	\	10	16	20	CL-150	Duration
Body (bar)	\	16	24	30	30	5 min.
Seat (bar)	\	11	17.6	22	22	2 min

1 bar = 0.1 MPa = 14.3 Psi = 1.019 kg/cm²



Dimension Table

Nominal Size	40	50	65	80	100	125	150	200	250	300	350	400	450	500	600
	1-1/2"	2"	2-1/2"	3"	4"	5"	6"	8"	10"	12"	14"	16"	18"	20"	24"
A	205	233	251	262	286	329	358	434	545	593	670	730	743	985	1090
B	133	154	164	168	180	193	207	276	306	331	393	409	434	595	640
C (Bore)	42	52	66	81	103	126	152.5	201	253.5	300	354	389.5	436	476	573
D ±2.0	33	43	46	46	52	56	56	60	68	78	92	102	114	127	154
H	65	65	65	65	65	90	90	90	125	125	175	175	175	210	210
I	14	17	17	17	17	17	17	18	22	22	25	25	25	30	32
J	26	16.5	16.5	16.5	16.5	18.5	18.5	19	25	25	35	35	36	90	90
K (Sq.)	12.7	14	14	14	14	17	17	17	22	22	25	25	30	45 Ø	45 Ø
L (PCD)	50	50	50	50	50	70	70	70	102	102	140	140	140	140	140
No. of Holes (n)	4	4	4	4	4	4	4	4	4	4	4	4	4	4	4
Dia of Holes (d)	7	7	7	7	7	9	9	9	11	11	18	18	18	18	18

* 25mm & 32mm available on request

Gears & Actuator

KVPL provides a wide range of manual gears & pneumatic actuators depending upon the size of the valve, starting right from 40 mm valve, as per the requirement of our clients.

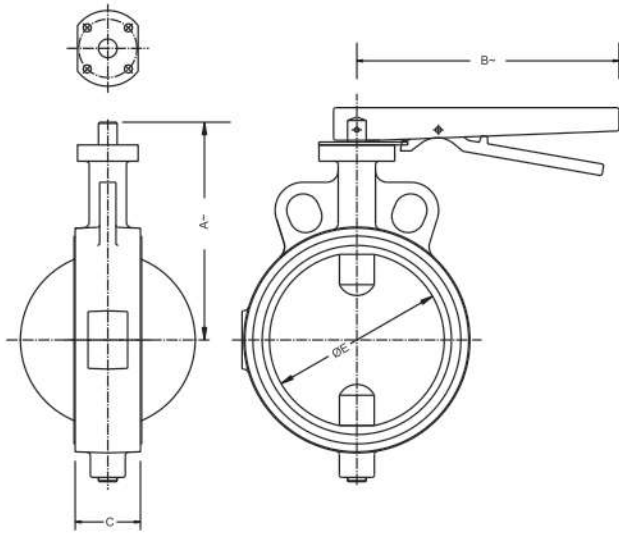
Butterfly valves above 300 mm by default come with gear fitted on them.

*Detailed technical data & material specification available on request.



Butterfly Valves

Aqualine Series



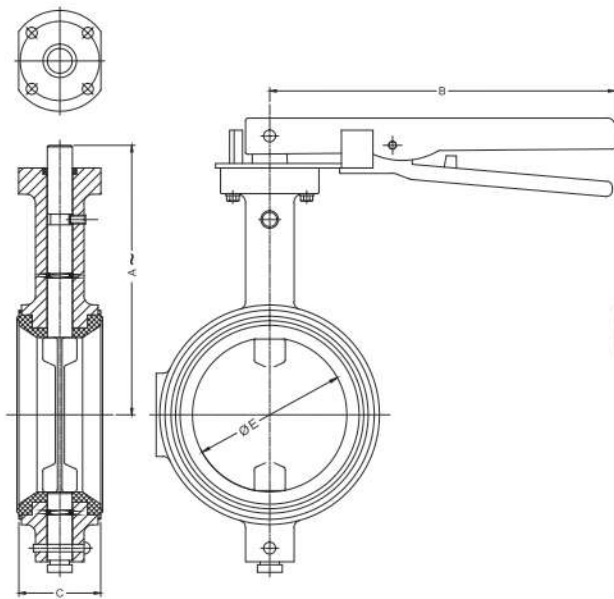
Aqualine
DI Disc



Aqualine
SS Disc

K706A & K707A

Slimline Series



Slimline
DI Disc



Slimline
SS Disc

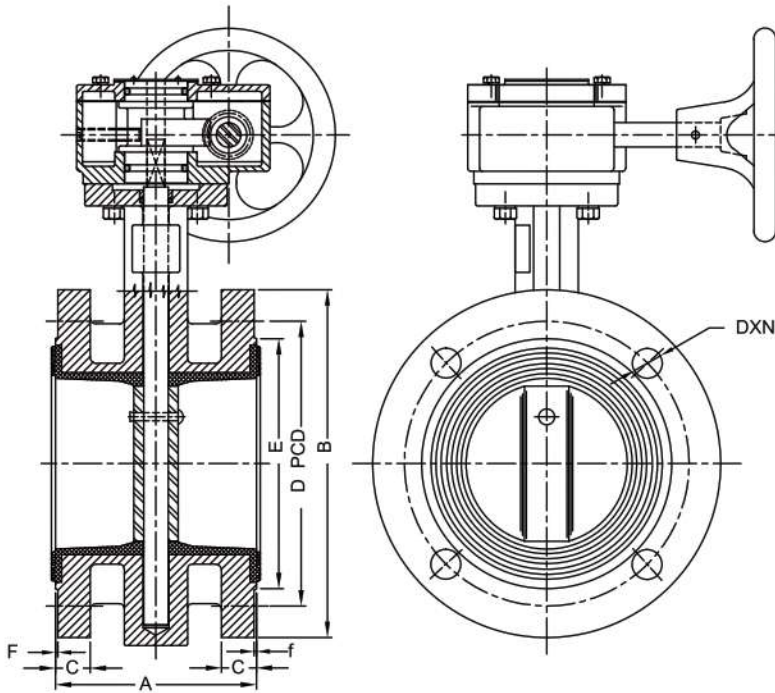
K706 & K707

Dimension Table

Valve Size in mm/in.	40mm 1½"	50mm 2"	65mm 2½"	80mm 3"	100mm 4"	125mm 5"	150mm 6"
Aqua Line							
A	142	153	156	167	180	192	214
B	146	146	186	186	186	265	265
C(±2)	33	43	46	46	52	56	56
E	42	54	66	81	100.5	125	151
Slim Line							
A	142	153	156	167	180	192	214
B	145	227	227	227	227	265	265
C(±2)	33	43	46	46	52	56	56
Ø E	42	54	66	81	100.5	126.5	154

Components	Material
Body	Cast Iron (IS: 210 Gr FG 200)
Disc	Ductile Iron / Stainless Steel
Liner	Nitrile / EPDM
Upper & Lower Stem	Stainless Steel (IS 6603) / AISI 410
Bushing	Teflon
O Rings	Nitrile
Pressure Rating	1.0, 1.6

Double Flanged, Centric Disc Type



K714 & K715A

Components	Material
Body	Ductile Iron
Disc	SS / DI
Liner	Nitrile / EPDM / Neoprene / Silicon
Shaft	Stainless Steel
Bushing	Teflon / Nylon
O Rings	Nitrile / Silicon / Viton
Pressure Rating	1.0

* PN 16 available on request

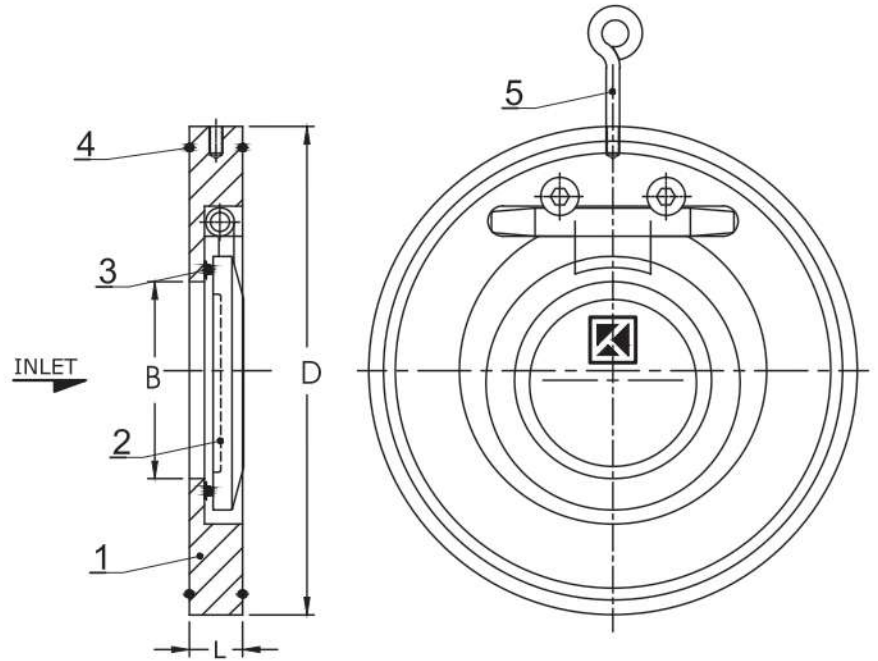
Double Flanged, Double Eccentric Disc Type

Dimensions In mm

Value Size	A	B (DIA)	C	D (PCD)	E	F	DXN
80	114	200	16	160	132	3	19x4
100	127	220	16	180	156	3	19x8
125	140	250	16	210	184	3	19x8
150	140	285	16	240	211	3	23x8
200	152	340	17	295	266	3	23x8
250	165	395	19	350	319	3	23x12
300	178	445	20.5	400	370	4	23x12
350	190	505	20.5	460	429	4	23x16
400	216	565	20.5	515	480	4	28x16
450	222	615	21	565	530	4	28x20
500	229	670	22.5	620	582	4	28x20
600	267	780	25	725	682	5	31x20



K716



K710

Part No.	Part Name	Material	Specifications
1	Body	Cast Iron	IS 210, FG 200
		Ductile Iron	IS 1865 - 500/7
		Cast Steel	IS 1030 230-450W
2	Disc	Carbon Steel S. S. Steel	
3	Body Seat	Nitrile, EPDM	
4	"O"Ring Gasket	Buna N	
5	Screws & Hook	Carbon Steel	

Hydraulic Test Pressure

PN (bar)	\	10	16
Body (bar)	\	15	24
Seat (bar)	\	11	17.6

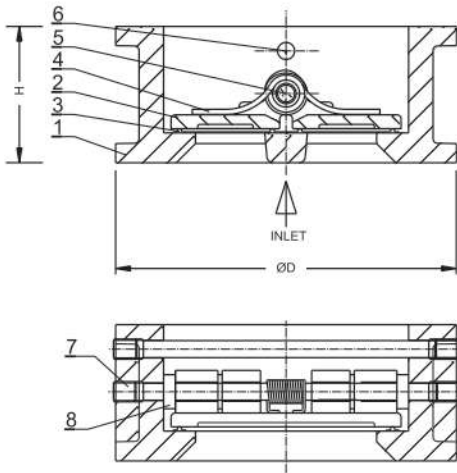
1 bar = 0.1 MPa = 14.3 Psi = 1.019 kg/cm²

MAIN DIMENSIONS mm

Valve Size	L	D	B
25	14	64	14
40	14	86	24
50	14	97	30
65	14	110	42
80	14	129	52
100	18	160	70
125	18	192	98
150	20	218	118
200	22	272	155
250	28	330	200
300	30	383	240
350	32	436	263
400	32.5	486	324
450	34	536	340

Dual Plate Check Valve (DPCV)

Wafer Type



MAIN DIMENSIONS mm

Valve Size	D	H
50	97	55
65	110	55
80	129	58
100	160	64
125	192	78
150	218	78
200	268	98
250	330	140
300	383	181
350	436	184
400	486	191
450	536	203

Flanged Type



Overall Dimensions (in mm)

Valve Size	H	D	T	PCD	Hole Dia.	No. of Holes
50	55	165	14	125	19	4
65	55	185	14	145	19	4
80	67	200	12	160	19	4
100	67	220	12	180	19	8
125	83	250	15	210	19	8
150	95	285	23	240	23	8
200	127	340	24.5	295	23	8
250	140	395	26	350	23	12
300	181	445	27.5	400	23	12
350	184	505	29	460	23	16
400	191	565	30	515	28	16

Part No.	Part Name	Material	Specifications
1	Body	Cast Iron	IS 210, FG 200
2	Doors	Ductile Iron Cast Steel	IS 1865 400/15, 450/10 IS 1030 230-450W
3	Body Seats	Nitrile Rubber EPDM	
4	Spring	Stainless Steel (IS 6603) / AISI 410/304	
5	Hing Pin	S. S. / AISI 410 / 304 / IS 6603	
6	Stop Pin		
7	Hing Pin Retainer	S. S. / Carbon Steel	
8	Washers	PTFE	

Hydraulic Test Pressure

PN (bar) \ 10 16

Body (bar) \ 15 24

Seat (bar) \ 11 17.6

1 bar = 0.1 MPa = 14.3 Psi = 1.019 kg/cm²



Our Other Product Ranges

- Sluice Valves
- Gate Valves
- Reflux Valves
- Air Valves
- Globe Valves
- Landing Valves
- Ball Valves
- Resilient Seated Gate Valve
- Fire Fighting Accessories
- Fire Hydrants
- Sprinkles
- Di Fittings



www.kartarvalves.com



Flat No: 302- 303 03 rd Floor, Hira Niketan, Kaliket Nagar,
Back Side Of Vatika Premier Hotel, IOCL Pipe Line Project HO
Building, Bailey Road, Danapur- Patna. Pin: 801503, Bihar
+91 9431011006, 9431076164, 9431099823, 9431133484

Base Line: 0612 3553356

Email: imagixprojects@gmail.com

www.imagixprojects.com